

TX350-1PCS 시리즈

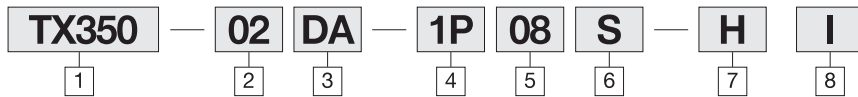
1PCS BALL VALVE

Air Operating Ball Valve(Reducer Bore)



- ISO 규격 Type
- 경량 및 콤팩트한 디자인
- 내식성이 강한 SCS14 BODY
- LOW COST VALVE
- 배관, 유지 보수 시 분해 및 조립이 용이
- 볼 밸브 스템 홀 부분 연마
- 인디케이터 부착으로 OPEN, CLOSE 식별 용이

주문형식



1 Series (Air Operating Ball Valve)

2 Actuator Cylinder Size

02 : 32mm
03 : 32mm
05 : 40mm
1 : 50mm

3 Actuator Type

DA : Double Acting
RS : Return Spring

4 Valve Type

1P : 1pcs Valve

5 Valve Size

08 : 1/4"
10 : 3/8"
15 : 1/2"
20 : 3/4"
25 : 1"
32 : 1 1/4"
40 : 1 1/2"
50 : 2"

6 Connection Type

S : Screw

7 Option

무기호 : 기본형
H : 고온용 밸브 Seat(제품사양 참조)
※ Solenoid valve 주문시 p.232 참조
(주문시 별도 문의)

8 인발사양

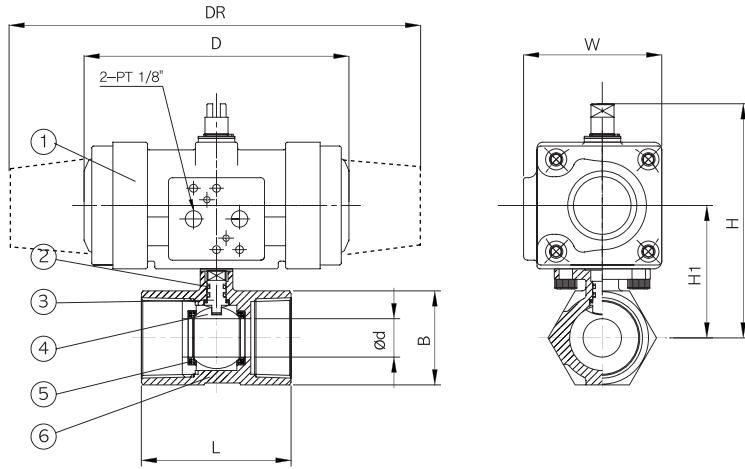
무기호 : 다이캐스팅
I : 인발사양

제품사양

항목	내용
Fluid	Water, Air, Oil, Gas, Steam
Fluid Temperature	(不凍)0~80°C / (고온용)Seat 교환시 0~180°C
Operating press	4~7Kg/cm ²
Option	Solenoid Valve AC110V, AC220V, DC24V
	Speed control
	Limit Switch
	Filter Regulator the other

TX350-1PCS 시리즈

구조도



부품 List

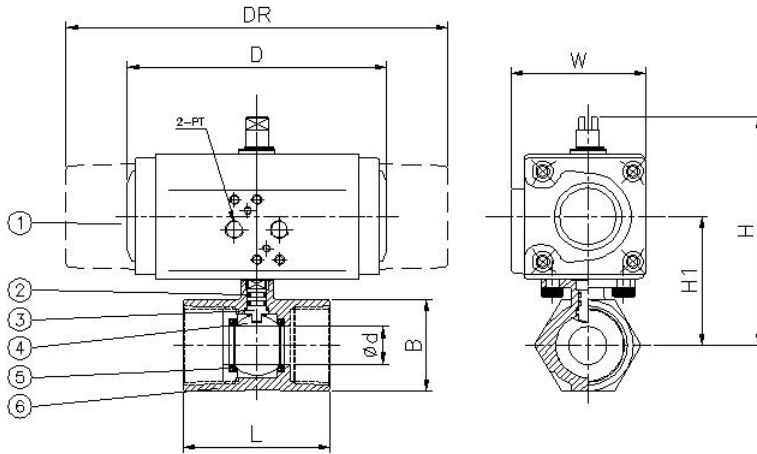
No.	품명	재질
1	ACTUATOR	組立品(다이캐스팅)
2	O-RING	VITON
3	STEM	SUS316
4	BALL	SUS316
5	SEAT	PTFE
6	VALVE BODY	SCS14(CF8M)

치수표 (다이캐스팅)

Model		Connection		Max. pressure (MPa)	Dimension (mm)										Weight (Kg)			
		Size (in)	Type		Ød	L	H		H1		D	DR	B	W		PT	DA	RS
■ TX350 Double Acting Actuator																		
TX350-02DA-08S	TX350-05RS-08S	1/4"	나사식 Rc	1.0	5	39	90.5	100	49	54	85.6	107	17	55	60	1/8	0.43	0.76
TX350-02DA-10S	TX350-05RS-10S	3/8"			7.2	44	91.5	101	50	55	85.6	107	19	55	60		0.46	0.76
TX350-02DA-15S	TX350-05RS-15S	1/2"			9.2	57	91	100	49	55	85.6	107	25	55	60		0.51	0.82
TX350-03DA-20S	TX350-05RS-20S	3/4"			12.5	59	93	102	51	57	99	107	32	55	60		0.67	0.92
TX350-05DA-25S	TX350-05RS-25S	1"			15	71	106		61	107	107	38	60		0.92		1.04	
TX350-1DA-32S	TX350-1RS-32S	1 1/4"			20	78	122		69	138	203	49	72		1.65		2.11	
TX350-1DA-40S	TX350-1RS-40S	1 1/2"			25	83	127.5		75	138	203	53	72		1.76		2.23	
TX350-1DA-50S	TX350-1RS-50S	2"			32	100	133		80.5	138	203	64	72		2.26		2.72	

1PCS BALL VALVE TX350-1PCS 시리즈

구조도



부품 List

No.	품명	재질
1	ACTUATOR	組立品(인발)
2	O-RING	VITON
3	STEM	SUS316
4	BALL	SUS316
5	SEAT	PTFE
6	VALVE BODY	SCS14(CF8M)

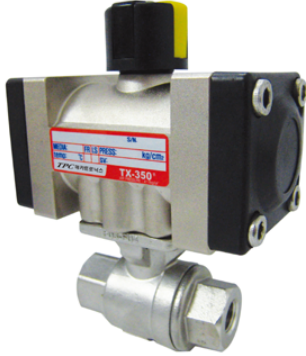
치수표 (인발)

Model	Connection		Max. pressure (MPa)	Dimension (mm)										Weight (Kg)			
	Size (in)	Type		Ød	L	H		H1		D	DR	B	W		PT	DA	RS
■ TX350 Double Acting Actuator																	
TX350-02DA-08S	TX350-05RS-08S	1/4"	1.0	5	39	90.5	100	49	54	85.6	107	17	55	58.4	1/8	0.43	0.76
TX350-02DA-10S	TX350-05RS-10S	3/8"		7.2	44	91.5	101	50	55	85.6	107	19	55	58.4		0.46	0.76
TX350-02DA-15S	TX350-05RS-15S	1/2"		9.2	57	91	100	49	55	85.6	107	25	55	58.4		0.51	0.82
TX350-03DA-20S	TX350-05RS-20S	3/4"		12.5	59	93	102	51	57	99	107	32	55	58.4		0.67	0.92
TX350-05DA-25S	TX350-05RS-25S	1"		15	71	106		61	107	107	38		58.4			0.92	1.04
TX350-1DA-32S	TX350-1RS-32S	1 1/4"		20	78	122		69	138	203	49		72			1.65	2.11
TX350-1DA-40S	TX350-1RS-40S	1 1/2"		25	83	127.5		75	138	203	53		72			1.76	2.23
TX350-1DA-50S	TX350-1RS-50S	2"		32	100	133		80.5	138	203	64		72			2.26	2.72

TX350-2PCS 시리즈

2PCS BALL VALVE

Air Operating Ball Valve(Full Bore)



- ISO 규격 Type
- FULL BORE로 압력 손실이 없음
- 정전기 방지 부착
- 정비가 용이한 2분할 볼 밸브
- 배관, 유지 보수 시 분해 및 조립이 용이
- 인디케이터 부착으로 OPEN, CLOSE 식별 용이
- 고온 전용 볼 밸브(0~150℃)

주문형식

TX350 — 05 DA — 2P 10 S — I

1
2
3
4
5
6
7

1 Series
(Air Operating Ball Valve, Full Bore)

2 Actuator Cylinder Size
05 : 40mm
1 : 50mm
2 : 63mm

3 Actuator Type
DA : Double Acting
RS : Return Spring

4 Valve Type
2P : 2pcs Valve

5 Valve Size
08 : 1/4"
10 : 3/8"
15 : 1/2"
20 : 3/4"
25 : 1"
32 : 1 1/4"
40 : 1 1/2"
50 : 2"

6 Connection Type
S : Screw

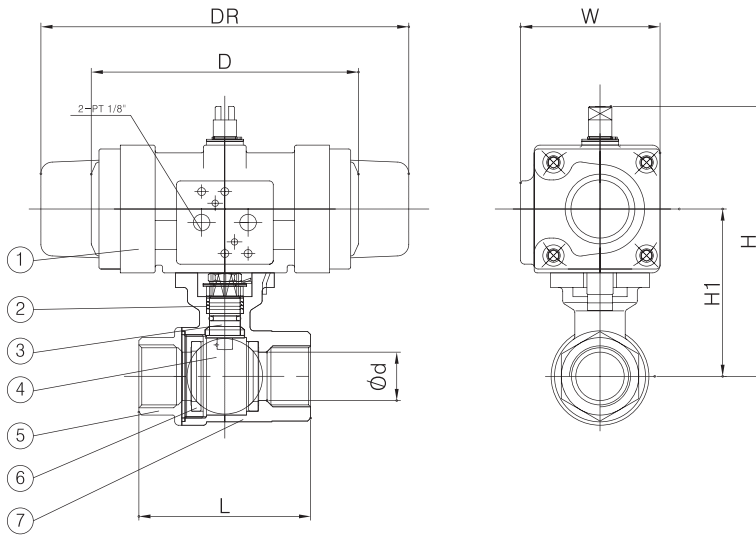
7 인발사양
무기호 : 다이캐스팅
I : 인발사양

제품사양

항목	내용
Fluid	Water, Air, Oil, Gas, Steam
Fluid Temperature	(不凍)0~150℃
Operating press.	4~7Kg/cm ²
Option	Solenoid Valve AC110V, AC220V, DC24V
	Speed control
	Limit Switch
	Filter Regulator the other

2PCS BALL VALVE TX350-2PCS 시리즈

치수도 / 구조도(부품 LIST)



부품 List

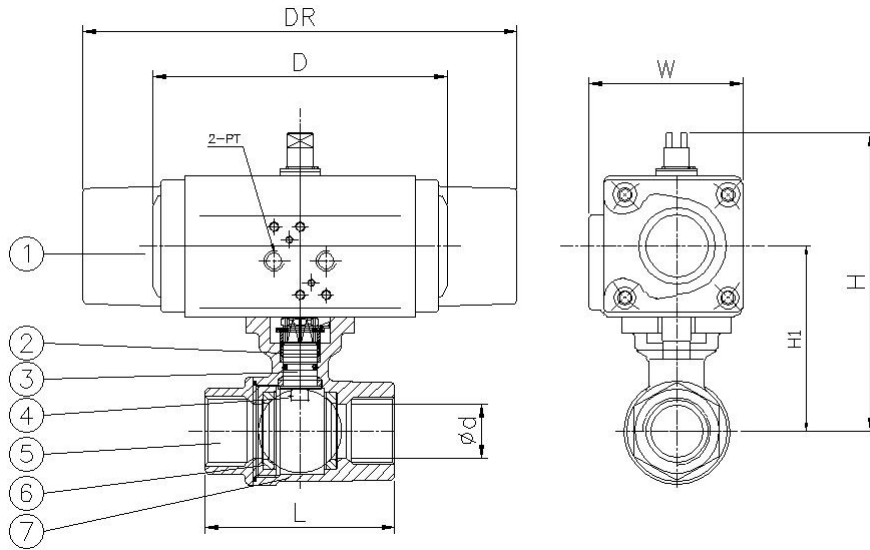
No.	품명	재질
1	ACTUATOR	組立品 (다이캐스팅)
2	PACKING	PTFE
3	STEM	SUS304/316
4	BALL	SUS304/316
5	CAP	SCS13(CF8)/14(CF8M)
6	SEAT	RTFE
7	VALVE BODY	SCS13(CF8)/14(CF8M)

치수표 (다이캐스팅)

Model		Connection		Max. pressure (MPa)	Dimension (mm)										Weight (Kg)		
		Size (in)	Type		Ød	L	H		H1		D	DR	W		PT	DA	RS
■ TX350 Double Acting & Return Spring Actuator																	
TX350-05DA-08S	TX350-1RS-08S	1/4	나사식 Rc	1.0	11.5	65.3	110	122	64	69	107	203	60	72	1/8	0.91	1.85
TX350-05DA-10S	TX350-1RS-10S	3/8			12.5	65.3	110	122	64	69	107	203	60	72		0.89	1.83
TX350-05DA-15S	TX350-1RS-15S	1/2			15	65.3	110	122	64	69	107	203	60	72		0.87	1.81
TX350-1DA-20S	TX350-1RS-20S	3/4			20	77.3	131	131	78	78	138	203	72	72		1.52	2.02
TX350-1DA-25S	TX350-1RS-25S	1			25	88.7	140	140	86	86	138	203	72	72		1.81	2.31
TX350-1DA-32S	TX350-2RS-32S	1 1/4			32	102.4	145	159	92	99	138	251	72	90		2.31	4.3
TX350-2DA-40S	TX350-2RS-40S	1 1/2			38	109	175	175	115	115	187	251	90	90		4.11	4.98
TX350-2DA-50S	TX350-2RS-50S	2			50	125.3	183	183	123	123	187	251	90	90		5.03	6.0

TX350-2PCS 시리즈

구조도



부품 List

No.	품명	재질
1	ACTUATOR	組立品 (인발)
2	PACKING	PTFE
3	STEM	SUS304/316
4	BALL	SUS304/316
5	CAP	SCS13(CF8)/14(CF8M)
6	SEAT	RTFE
7	VALVE BODY	SCS13(CF8)/14(CF8M)

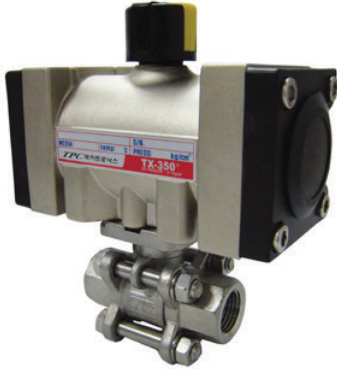
치수표 (인발)

Model	Connection		Max. pressure (MPa)	Dimension (mm)										Weight (Kg)		
	Size (in)	Type		Ød	L	H		H1		D	DR	W		PT	DA	RS
						DA	RS	DA	RS			DA	RS			
■ TX350 Double Acting & Return Spring Actuator																
TX350-05DA-08S	TX350-1RS-08S	1/4	1.0	11.5	65.3	110	122	64	69	107	203	58.4	72	1/8	0.91	1.85
TX350-05DA-10S	TX350-1RS-10S	3/8		12.5	65.3	110	122	64	69	107	203	58.4	72		0.89	1.83
TX350-05DA-15S	TX350-1RS-15S	1/2		15	65.3	110	122	64	69	107	203	58.4	72		0.87	1.81
TX350-1DA-20S	TX350-1RS-20S	3/4		20	77.3	131	131	78	78	138	203	72	72		1.52	2.02
TX350-1DA-25S	TX350-1RS-25S	1		25	88.7	140	140	86	86	138	203	72	72		1.81	2.31
TX350-1DA-32S	TX350-2RS-32S	1 1/4		32	102.4	145	159	92	99	138	251	72	86.7		2.31	4.3
TX350-2DA-40S	TX350-2RS-40S	1 1/2		38	109	175	175	115	115	187	251	86.7	86.7		4.11	4.98
TX350-2DA-50S	TX350-2RS-50S	2		50	125.3	183	183	123	123	187	251	86.7	86.7		5.03	6.0

TX350-3PCS 시리즈

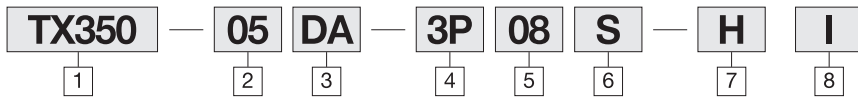
3PCS BALL VALVE

Air Operating Ball Valve(Full Bore)



- ISO 규격 Type
- FULL BORE로 압력 손실이 없음
- 정전기 방지 부착
- 정비가 용이한 3분할 볼 밸브
- 배관, 유지 보수시 분해 및 조립이 용이
- 볼 밸브 스템 홀 부분 연마
- 인디케이터 부착으로 OPEN, CLOSE 식별 용이

주문형식



1 Series (Air Operating Ball Valve)

2 Actuator Cylinder Size

05 : 40mm
1 : 50mm
2 : 63mm

3 Actuator Type

DA : Double Acting
RS : Return Spring

4 Valve Type

3P : 3pcs Valve

5 Valve Size

08 : 1/4"
10 : 3/8"
15 : 1/2"
20 : 3/4"
25 : 1"
32 : 1 1/4"
40 : 1 1/2"
50 : 2"

6 Connection Type

S : Screw
SW : Socket weld

7 Option

무기호 : 기본형
H : 고온용 밸브 Seat(제품사양 참조)
※ Solenoid valve 주문시 p.232 참조
(주문시 별도 문의)

8 인발사양

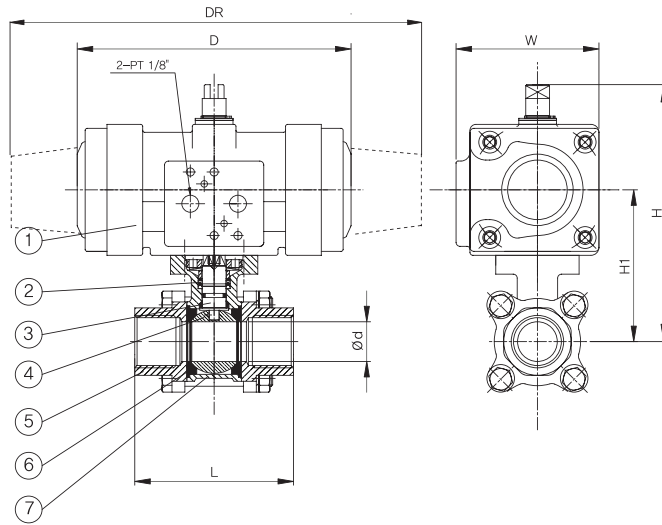
무기호 : 다이캐스팅
I : 인발사양

제품사양

항목	내용
Fluid	Water, Air, Oil, Gas, Steam
Fluid Temperature	(不凍)0~80°C / (고온용)Seat 교환시 0~180°C
Operating press	4~7Kg/cm ²
Option	Solenoid Valve AC110V, AC220V, DC24V
	Speed control
	Limit Switch
	Filter Regulator the other

TX350-3PCS 시리즈

구조도



부품 List

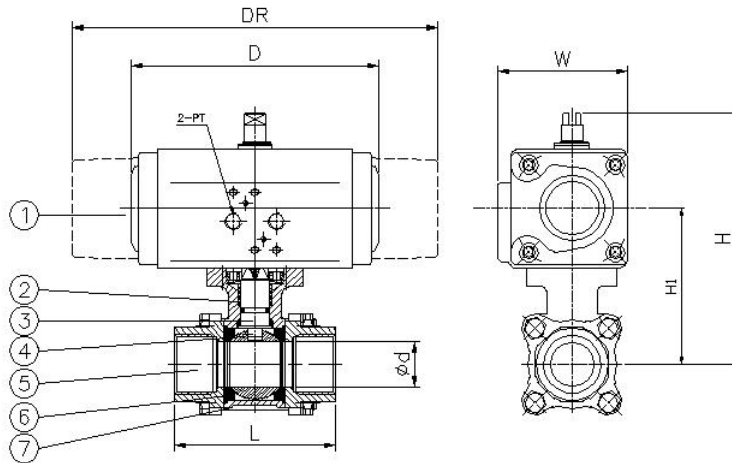
No.	품명	재질
1	ACTUATOR	組立品 (다이캐스팅)
2	PACKING	PTFE
3	STEM	SUS304/SUS316
4	BALL	SUS304/SUS316
5	CAP	SCS13/SCS14(CF8/CF8M)
6	SEAT	PEFE / RTFE / CARBON
7	VALVE BODY	SCS13/SCS14(CF8/CF8M)

치수표 (다이캐스팅)

Model		Connection		Max. pressure (MPa)	Dimension (mm)										Weight (Kg)		
		Size (in)	Type		Ød	L	H		H1		D	DR	W		PT	DA	RS
■ TX350 Double Acting & Return Spring Actuator																	
TX350-05DA-08S	TX350-1RS-08S	1/4"	나사식 Rc	1.0	11.5	63.5	111	123	65	70	107	203	60	72	1/8	1.07	2.05
TX350-05DA-10S	TX350-1RS-10S	3/8"			12.5	63.5	111	123	65	70	107	203	60	72		1.08	2.07
TX350-05DA-15S	TX350-1RS-15S	1/2"			15	75	111	123	65	70	107	203	60	72		1.09	2.07
TX350-1DA-20S	TX350-1RS-20S	3/4"			20	80	130		76.5		138	203	72			1.71	2.21
TX350-1DA-25S	TX350-1RS-25S	1"			25	90	139.5		86.5		138	203	72			2.04	2.54
TX350-2DA-32S	TX350-2RS-32S	1 1/4"			32	110	159		99		187	251	90			3.55	4.52
TX350-2DA-40S	TX350-2RS-40S	1 1/2"			38	120	166		106		187	251	90			4.32	5.36
TX350-2DA-50S	TX350-2RS-50S	2"			50	140	175		115		187	251	90			5.59	6.58

3PCS BALL VALVE TX350-3PCS 시리즈

구조도



부품 List

No.	품명	재질
1	ACTUATOR	組立品 (인발)
2	PACKING	PTFE
3	STEM	SUS304/SUS316
4	BALL	SUS304/SUS316
5	CAP	SCS13/SCS14(CF8/CF8M)
6	SEAT	PEFE / RTFE / CARBON
7	VALVE BODY	SCS13/SCS14(CF8/CF8M)

치수표 (인발)

Model		Connection		Max. pressure (MPa)	Dimension (mm)										Weight (Kg)		
		Size (in)	Type		Ød	L	H		H1		D	DR	W		PT	DA	RS
■ TX350 Double Acting & Return Spring Actuator																	
TX350-05DA-08S	TX350-1RS-08S	1/4"	나사식 Rc	1.0	11.5	63.5	111	123	65	70	107	203	58.4	72	1/8	1.07	2.05
TX350-05DA-10S	TX350-1RS-10S	3/8"			12.5	63.5	111	123	65	70	107	203	58.4	72		1.08	2.07
TX350-05DA-15S	TX350-1RS-15S	1/2"			15	75	111	123	65	70	107	203	58.4	72		1.09	2.07
TX350-1DA-20S	TX350-1RS-20S	3/4"			20	80	130		76.5		138	203	72			1.71	2.21
TX350-1DA-25S	TX350-1RS-25S	1"			25	90	139.5		86.5		138	203	72			2.04	2.54
TX350-2DA-32S	TX350-2RS-32S	1 1/4"			32	110	159		99		187	251	86.7			3.55	4.52
TX350-2DA-40S	TX350-2RS-40S	1 1/2"			38	120	166		106		187	251	86.7			4.32	5.36
TX350-2DA-50S	TX350-2RS-50S	2"			50	140	175		115		187	251	86.7			5.59	6.58

TX350-3PCS 고압밸브 시리즈

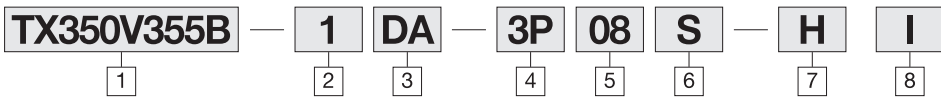
3PCS BALL VALVE

Air Operating 고압 Ball Valve(Full Bore)



- ISO 규격 Type
- FULL BORE로 압력 손실이 없음
- 다이렉트 마운팅 타입
- 정비가 용이한 3분할 볼 밸브
- 배관, 유지 보수시 분해 및 조립이 용이
- 고압사용 70kg/cm²~140kg/cm², 고점도 유체 사용
- 인디케이터 부착으로 OPEN, CLOSE 식별 용이

주문형식



① Series (Air Operating Ball Valve)

② Actuator Cylinder Size

- 1 : 50mm
- 2 : 63mm

③ Actuator Type

DA : Double Acting

④ Valve Type

3P : 3pcs Valve

⑤ Valve Size

- 08 : 1/4"
 - 10 : 3/8"
 - 15 : 1/2"
 - 20 : 3/4"
 - 25 : 1"
 - 32 : 1 1/4"
 - 40 : 1 1/2"
 - 50 : 2"
- 140kg/cm² 사용가능
- 70kg/cm² 사용가능

⑥ Connection Type

S : Screw

⑦ Option

- 무기호 : 기본형
- H : 고온용 밸브 Seat(제품사양 참조)
- ※ Solenoid valve 주문시 p.232 참조 (주문시 별도 문의)

⑧ 인발사양

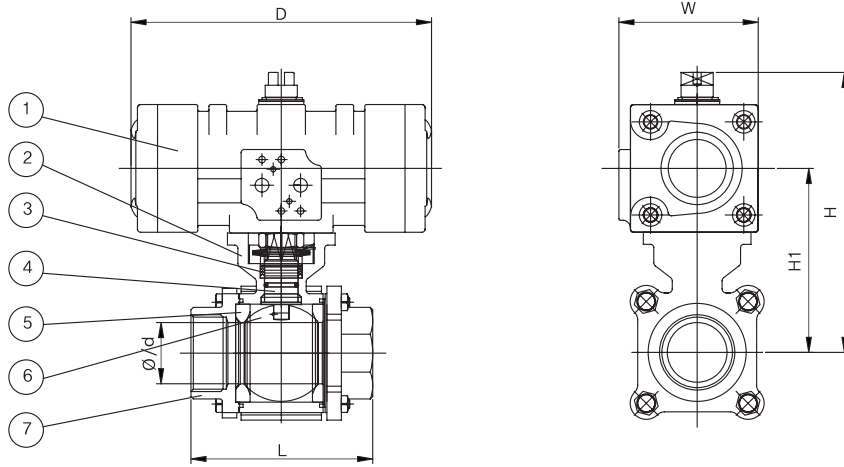
- 무기호 : 다이캐스팅
- I : 인발사양

제품사양

항목	내용
Fluid	Water, Air, Oil, Gas, Steam
Fluid Temperature	(不凍)0~80°C / (고온용)Seat 교환시 0~180°C
Operating press	4~7Kg/cm ²
Option	Solenoid Valve AC110V, AC220V, DC24V
	Speed control
	Limit Switch
	Filter Regulator the other

3PCS BALL VALVE TX350-3PCS 고압밸브 시리즈

구조도



부품 List

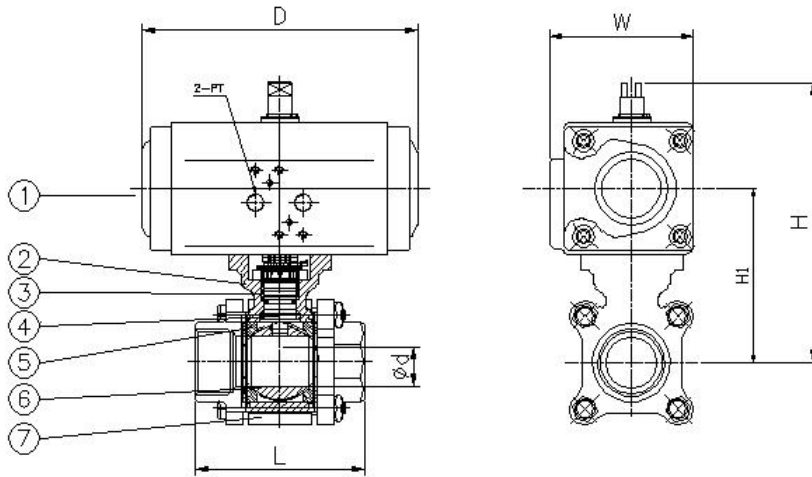
No.	품명	재질
1	ACTUATOR	組立品 (다이캐스팅)
2	VALVE BODY	SCS14(CF8M)
3	PACKING	PTFE
4	STEM	SUS316
5	SEAT	RTFE / CARBON
6	BALL	SUS316
7	CAP	SCS14(CF8M)

치수표 (다이캐스팅)

Model	Connection		Max. pressure (kg/cm ²)	Dimension (mm)										Weight (Kg)
	Size(in)	Type		Ød	L	H	H1	D	DR	W	3pcs(mm)	PT		
■ TX350 Double Acting Actuator														
TX350V355B-1DA-08S	1/4"	나사식 Rc	140	11.5	56.1	123	70	138	/	72	9	1/8	1.7	
TX350V355B-1DA-10S	3/8"			12.5	56.1	123	70	138	/	72			1.72	
TX350V355B-1DA-15S	1/2"			15	68	123	70	138	/	72			1.74	
TX350V355B-1DA-20S	3/4"			20	76.1	131	78	138	/	72			2	
TX350V355B-1DA-25S	1"		25	84.6	140	87	138	/	72	2.36				
TX350V355B-2DA-32S	1 1/4"		70	32	98.1	159	99	187	/	90	4.25			
TX350V355B-2DA-40S	1 1/2"			38	111.2	175	115	187	/	90	14	5.19		
TX350V355B-2DA-50S	2"			50	126.7	183	123	187	/	90	14	6.89		

TX350-3PCS 고압밸브 시리즈

구조도



부품 List

No.	품명	재질
1	ACTUATOR	組立品 (인발)
2	VALVE BODY	SCS14(CF8M)
3	PACKING	PTFE
4	STEM	SUS316
5	SEAT	RTFE / CARBON
6	BALL	SUS316
7	CAP	SCS14(CF8M)

치수표 (인발)

Model	Connection		Max. pressure (kg/cm ²)	Dimension (mm)										Weight (Kg)
	Size(in)	Type		Ød	L	H	H1	D	DR	W	3pcs(mm)	PT		
■ TX350 Double Acting Actuator														
TX350V355B-1DA-08S	1/4"	나사식 Rc	140	11.5	56.1	123	70	138		72	9	1/8	1.7	
TX350V355B-1DA-10S	3/8"			12.5	56.1	123	70	138		72			1.72	
TX350V355B-1DA-15S	1/2"			15	68	123	70	138		72			1.74	
TX350V355B-1DA-20S	3/4"			20	76.1	131	78	138		72			2	
TX350V355B-1DA-25S	1"			25	84.6	140	87	138		72			2.36	
TX350V355B-2DA-32S	1 1/4"			70	32	98.1	159	99	187				86.7	4.25
TX350V355B-2DA-40S	1 1/2"		38		111.2	175	115	187		86.7	14	5.19		
TX350V355B-2DA-50S	2"		50		126.7	183	123	187		86.7	14	6.89		

TX350-3WAY 시리즈

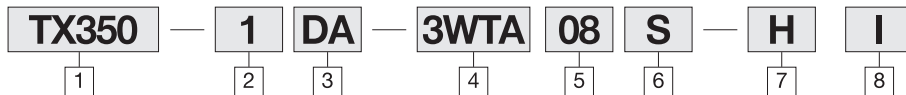
3WAY BALL VALVE

Air Operating Ball Valve(Reducer Bore)



- ISO 규격 Type
- 경량 및 콤팩트한 디자인
- 내식성이 강한 SCS14 Body
- Low Cost Valve
- 배관, 유지 보수시 분해 및 조립이 용이
- 4 SEAT로 기밀성 강화
- 고점도 유체 사용, 자유로운 유체 방향
- 인디게이터 부착으로 OPEN, CLOSE 식별 용이

주문형식



1 Series (Air Operating Ball Valve)

2 Actuator Cylinder Size

05 : 40mm
1 : 50mm
2 : 63mm
2.5 : 63mm

3 Actuator Type

DA : Double Acting
RS : Return Spring

4 Valve Type

3WL : 3port "L" Type
3WTA : 3port "T" Type
3WTB : 3port "T" Type
3WTC : 3port "T" Type
3WTD : 3port "T" Type
※ p.306 3WAY valve 유체 흐름표 참조

5 Valve Size

08 : 1/4"
10 : 3/8"
15 : 1/2"
20 : 3/4"
25 : 1"
32 : 1 1/4"
40 : 1 1/2"
50 : 2"

6 Connection Type

S : Screw

7 Option

무기호 : 기본형
H : 고온용 밸브 Seat(제품사양 참조)
※ Solenoid valve 주문시 p.232 참조
(주문시 별도 문의)

8 인발사양

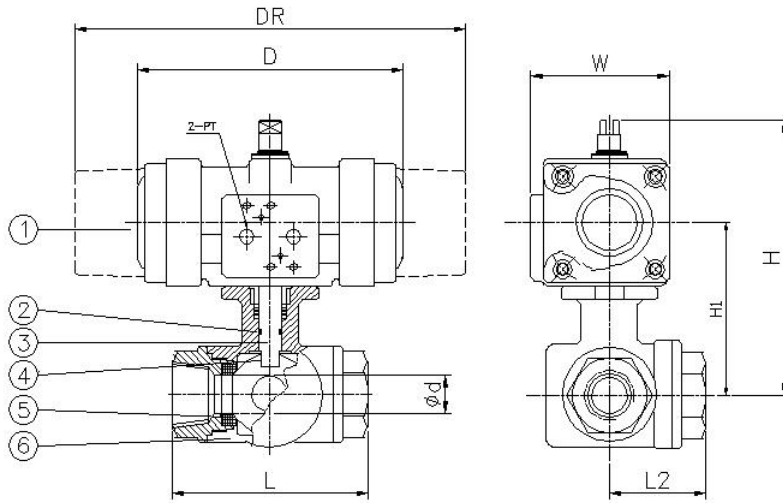
무기호 : 다이캐스팅
I : 인발사양

제품사양

항목	내용
Fluid	Water, Air, Oil, Gas, Steam
Fluid Temperature	(不凍)0~80°C / (고온용)Seat 교환시 0~180°C
Operating press	4~7Kg/cm ²
Option	Solenoid Valve AC110V, AC220V, DC24V
	Speed control
	Limit Switch
	Filter Regulator the other

TX350-3WAY 시리즈

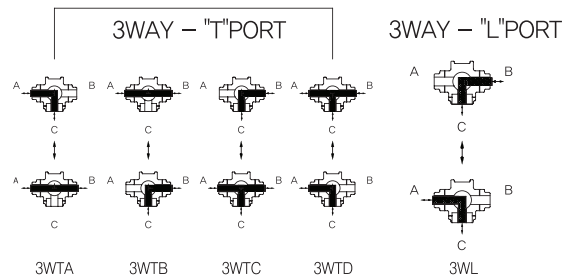
구조도



부품 List

No.	품명	재질
1	ACTUATOR	組立品(다이캐스팅)
2	O-RING	VITON
3	STEM	SUS316
4	BALL	SUS316
5	SEAT	RTFE / CARBON
6	VALVE BODY	SCS14(CF8M)

3WAY VALVE 유체흐름도



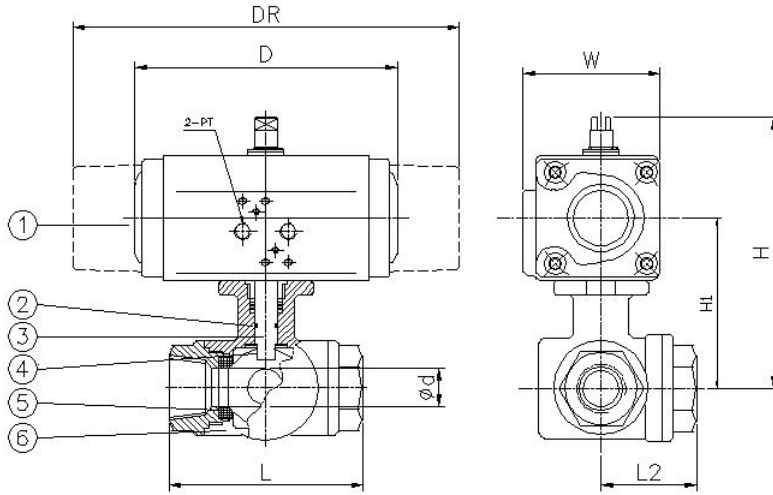
치수표 (다이캐스팅)

Model	Connection		Max. pressure (MPa)	Dimension(mm)											Weight (Kg)			
	Size (in)	Type		ϕd	L	H		H1		D	DR	L2	W		PT	DA	RS	
						DA	RS	DA	RS				DA	RS				
■ TX350-series Double Acting & Return Spring Actuator																		
TX350-05DA-08S-3W	TX350-05RS-08S-3W	1/4	1.0	11	75.7	112		67		107		37.3		60		1/8	1.18	1.27
TX350-05DA-10S-3W	TX350-05RS-10S-3W	3/8		11	75.7	112		67		107		37.3		60			1.15	1.28
TX350-05DA-15S-3W	TX350-1RS-15S-3W	1/2		12.7	75.7	112	124	67	71	107		37.3		60			1.09	2.02
TX350-1DA-20S-3W	TX350-1RS-20S-3W	3/4		16	86.6	131		78		138	203	44.7		72		2.04	2.47	
TX350-1DA-25S-3W	TX350-1RS-25S-3W	1		20	102.4	143		90		138	203	51.4		72		2.55	3	
TX350-2DA-32S-3W	TX350-2RS-32S-3W	1 1/4		25	118.2	162		102		187	251	57.7		90		4.46	5.3	
TX350-2DA-40S-3W	TX350-2RS-40S-3W	1 1/2		32	125.8	178		118		187	251	62.7		90		5.46	6.46	
TX350-2.5DA-50S-3W	TX350-3RS-50S-3W	2		38	149	142	212	127	140	210	427	74.6	87	106	1/4	9.08	11.55	

* 2.5DA는 압축성형(인발)제품

3WAY BALL VALVE TX350-3WAY 시리즈

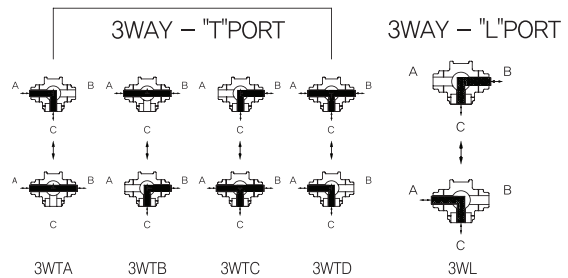
구조도



부품 List

No.	품명	재질
1	ACTUATOR	組立品(인발)
2	O-RING	VITON
3	STEM	SUS316
4	BALL	SUS316
5	SEAT	RTFE / CARBON
6	VALVE BODY	SCS14(CF8M)

3WAY VALVE 유체흐름도



치수표 (인발)

Model	Connection		Max. pressure (MPa)	Dimension (mm)											Weight (Kg)		
	Size (in)	Type		Ød	L	H		H1		D	DR	L2	W		PT	DA	RS
						DA	RS	DA	RS				DA	RS			
■ TX350-series Double Acting & Return Spring Actuator																	
TX350-05DA-08S-3W	TX350-05RS-08S-3W	1/4	1.0	11	75.7	112		67		107	37.3	58.4		1/8	1.18	1.27	
TX350-05DA-10S-3W	TX350-05RS-10S-3W	3/8		11	75.7	112		67		107	37.3	58.4			1.15	1.28	
TX350-05DA-15S-3W	TX350-1RS-15S-3W	1/2		12.7	75.7	112	124	67	71	107	37.3	58.4			1.09	2.02	
TX350-1DA-20S-3W	TX350-1RS-20S-3W	3/4		16	86.6	131		78		138	203	44.7	72		2.04	2.47	
TX350-1DA-25S-3W	TX350-1RS-25S-3W	1		20	102.4	143		90		138	203	51.4	72		2.55	3	
TX350-2DA-32S-3W	TX350-2RS-32S-3W	1 1/4		25	118.2	162		102		187	251	57.7	86.7		4.46	5.3	
TX350-2DA-40S-3W	TX350-2RS-40S-3W	1 1/2		32	125.8	178		118		187	251	62.7	86.7		5.46	6.46	
TX350-2.5DA-50S-3W	TX350-3RS-50S-3W	2		38	149	142	212	127	140	210	427	74.6	87		106	1/4	9.08

* 2.5DA는 압축성형(인발)제품