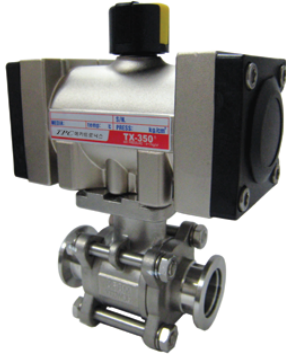


# TX350-NW-2WAY 시리즈

## NW TYPE BALL VALVE

Air Operating NW Type Ball Valve



- ISO 규격 Type
- 내식성이 강한 SCS14 Body
- 정전기 방지 부착
- 정비가 용이한 3분할 볼 밸브
- 배관, 유지 보수시 분해 및 조립이 용이
- 경량 및 콤팩트한 설계, 진공용에 사용
- 인디케이터 부착으로 OPEN, CLOSE 식별 용이

### 주문형식



1 Series (Air Operating Ball Valve)

2 Actuator Cylinder Size

- 1 : 50mm
- 2 : 63mm

3 Actuator Type

- DA : Double Acting
- RS : Return Spring

4 Valve Type & Size

- Valve Type & Size
- NW25 : Clamp Type
- Endcap size : 25 valve Size: 25
- NW40 : Clamp Type
- Endcap size : 40 valve Size: 40
- NW5040 : Clamp Type
- Endcap size : 50 valve Size: 40
- NW5050 : Clamp Type
- Endcap size : 50 valve Size: 50

5 Option

- 무기호 : 기본형
- H : 고온용 밸브 Seat(제품사양 참조)
- ※ Solenoid valve 주문시 p.232 참조 (주문시 별도 문의)

6 인발사양

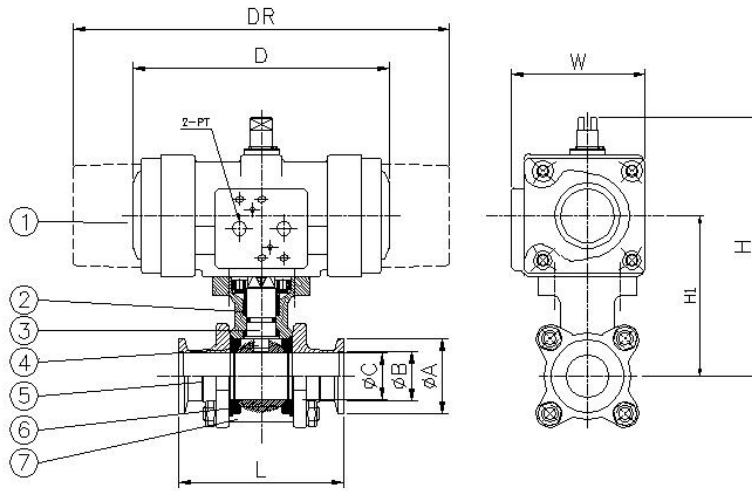
- 무기호 : 다이캐스팅
- I : 인발사양

### 제품사양

항목	내용
Fluid	Water, Air, Oil, Gas, Steam
Fluid Temperature	(不凍)0~80°C, 0~180°C
Operating press	4~7Kg/cm <sup>2</sup>
Option	Solenoid Valve AC110V, AC220V, DC24V
	Speed control
	Limit Switch
	Filter Regulator the other

# TX350-NW-2WAY 시리즈

## 구조도



### 부품 List

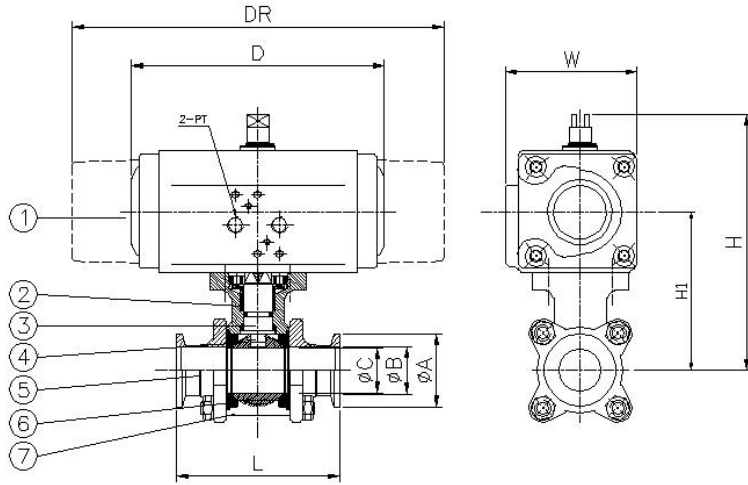
No.	품명	재질
1	ACTUATOR	組立品(다이캐스팅)
2	PACKING	PTFE
3	STEM	SUS304/SUS316
4	BALL	SUS304/SUS316
5	CAP	SUS13(CF8)/SUS14(CF8M)
6	SEAT	PTFE/RTFE/CARBON
7	VALVE BODY	SUS13(CF8)/SUS14(CF8M)

### 치수표 (다이캐스팅)

Model	Connection	Max. pressure (MPa)	Dimension(mm)											Weight(Kg)	
			ØA	ØB	φC	L	H1	H	D	DR	W	PT	DA	RS	
■ TX350D Double Acting Actuator, Return Spring Actuator															
TX350-1DA-NW25	NW25	1.0	40	26.2	24	89	86.5	139.4	138	/	72	1/8	1.91	/	
TX350-2DA-NW40	TX350-2RS-NW40		NW40	55	41.2	38	111	106.3	166	187	251		90	4.09	4.69
TX350-2DA-NW5040	TX350-2RS-NW5040		NW50-40	75	52.2	38	111	106.3	166	187	251		90	4.16	5.01
TX350-2DA-NW50	TX350-2RS-NW50		NW50	75	52.2	50.8	150	126.7	186	187	251		90	5.64	/

# NW TYPE BALL VALVE TX350-NW-2WAY 시리즈

## 구조도



## 부품 List

No.	품명	재질
1	ACTUATOR	組立品(인발)
2	PACKING	PTFE
3	STEM	SUS304/SUS316
4	BALL	SUS304/SUS316
5	CAP	SUS13(CF8)/SUS14(CF8M)
6	SEAT	PTFE/RTFE/CARBON
7	VALVE BODY	SUS13(CF8)/SUS14(CF8M)

## 치수표 (인발)

Model	Connection	Max. pressure (MPa)	Dimension(mm)											Weight(Kg)		
			$\phi A$	$\phi B$	$\phi C$	L	H1	H	D	DR	W	PT	DA	RS		
■ TX350D Double Acting Actuator, Return Spring Actuator																
TX350-1DA-NW25	NW25	1.0	40	26.2	24	89	86.5	139.4	138			72	1/8	1.91		
TX350-2DA-NW40	TX350-2RS-NW40		NW40	55	41.2	38	111	106.3	166	187	251	86.7		4.09	4.69	
TX350-2DA-NW5040	TX350-2RS-NW5040		NW50-40	75	52.2	38	111	106.3	166	187	251	86.7		4.16	5.01	
TX350-2DA-NW50	TX350-2RS-NW50		NW50	75	52.2	50.8	150	126.7	186	187	251	86.7		5.64		

# TX350-NW-3WAY 시리즈

## NW Type BALL VALVE

Air Operating NW Type Ball Valve



- ISO 규격 Type
- 경량 및 콤팩트한 디자인
- 내식성이 강한 SCS14 Body
- Low Cost Valve
- 고점도 유체 사용
- 인디게이터 부착으로 OPEN, CLOSE 식별 용이

### 주문형식



1 Series(Air Operating Ball Valve)

2 Actuator Cylinder Size

- 1 : 50mm
- 2 : 63mm

3 Actuator Type

DA : Double Acting

4 Valve Type & Size

NW25 : Clamp Type  
Endcap size : 25 valve Size: 25

NW4032 : Clamp Type

Endcap size : 40 valve Size: 32

NW40 : Clamp Type

Endcap size : 40 valve Size: 40

NW5040 : Clamp Type

Endcap size : 50 valve Size: 50

5 Valve(Port) Type

3WL : 3port "L" Type

3WTA : 3port "T" Type

3WTB : 3port "T" Type

3WTC : 3port "T" Type

3WTD : 3port "T" Type

※ p.317 3WAY valve 유체 흐름표 참조.

※ Solenoid valve 주문시 p.232 참조  
(주문시 별도 문의)

6 인발사양

무기호 : 다이캐스팅

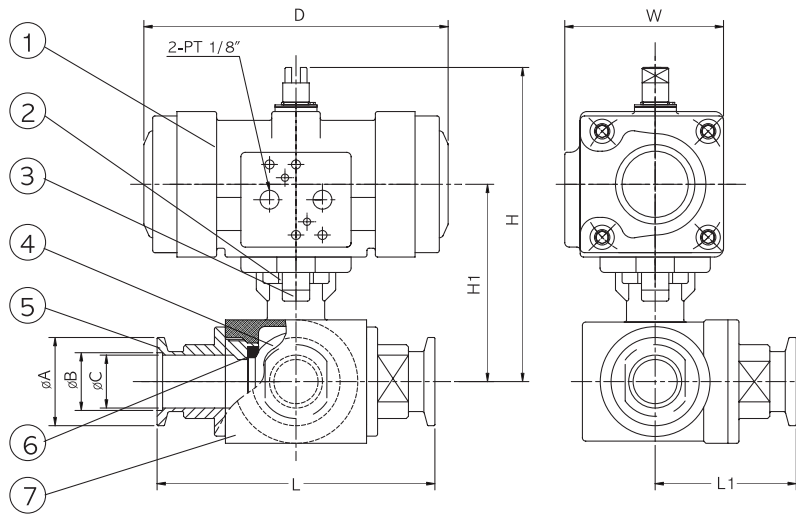
I : 인발사양

### 제품사양

항목	내용
Fluid	Water, Air, Oil, Gas, Steam
Fluid Temperature	(不凍)0~80℃
Operating press	4~7Kg/cm <sup>2</sup>
Option	Solenoid Valve AC110V, AC220V, DC24V
	Speed control
	Limit Switch
	Filter Regulator the other

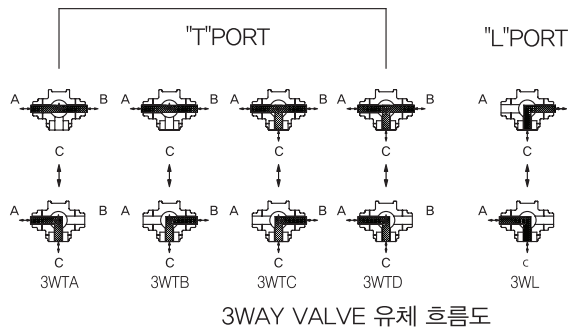
# NW Type BALL VALVE TX350-NW-3WAY 시리즈

## 구조도



### 부품 List

No.	품명	재질
1	ACTUATOR	組立品(다이캐스팅)
2	PACKING	PTFE
3	STEM	SUS316
4	BALL	SUS316
5	CAP	SCS14(CF8M)
6	SEAT	RTFE/CARBON
7	VALVE BODY	SCS14(CF8M)

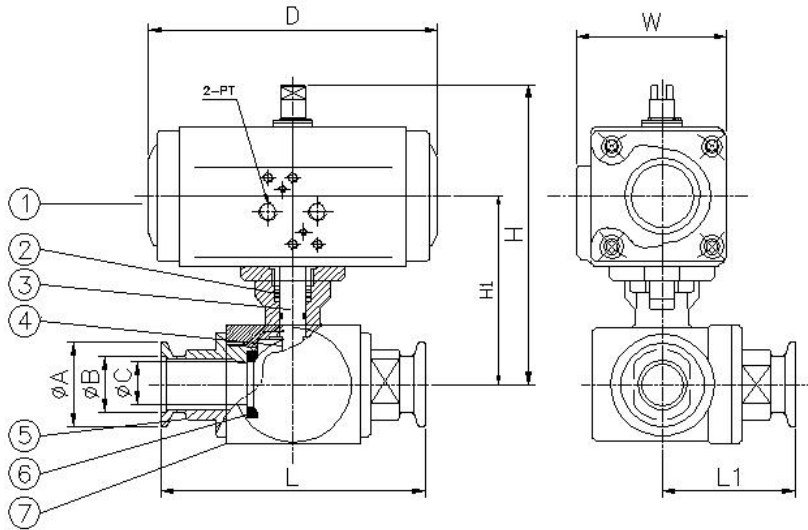


## 치수표 (다이캐스팅)

Model	Connection	Max. pressure (MPa)	Dimension(mm)										Weight (Kg)
			ØA	ØB	ØC	L	H1	H	D	DR	W	PT	
■ TX350 Double Acting Actuator													
TX350-1DA-NW25-3W	NW25	1.0	40	26.2	24	126	89.5	142.5	138		72	1/8	2.65
TX350-2DA-NW40-32-3W	NW40-32		55	41.2	30	150	100	159.5	187		90		5.05
TX350-2DA-NW40-3W	NW40-40		55	41.2	38	155	119	178.5	187		90		5.95
TX350-2DA-NW50-3W	NW50-40		75	52.2	38	159	113	173	187		90		6.15

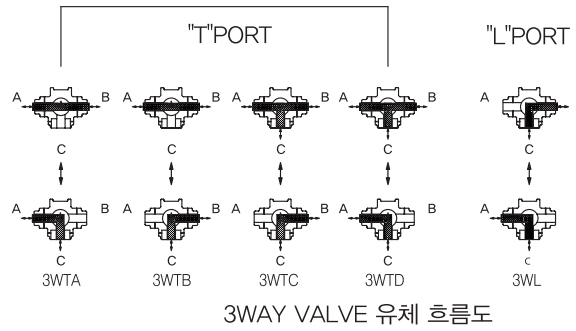
# TX350-NW-3WAY 시리즈

## 구조도



### 부품 List

No.	품명	재질
1	ACTUATOR	組立品(인발)
2	PACKING	PTFE
3	STEM	SUS316
4	BALL	SUS316
5	CAP	SCS14(CF8M)
6	SEAT	RTFE/CARBON
7	VALVE BODY	SCS14(CF8M)



## 치수표 (인발)

Model	Connection	Max. pressure (MPa)	Dimension(mm)										Weight (Kg)
			ØA	ØB	ØC	L	H1	H	D	DR	W	PT	
■ TX350 Double Acting Actuator													
TX350-1DA-NW25-3W	NW25	1.0	40	26.2	24	126	89.5	142.5	138		72	1/8	2.65
TX350-2DA-NW40-32-3W	NW40-32		55	41.2	30	150	100	159.5	187		86.7		5.05
TX350-2DA-NW40-3W	NW40-40		55	41.2	38	155	119	178.5	187		86.7		5.95
TX350-2DA-NW50-3W	NW50-40		75	52.2	38	159	113	173	187		86.7		6.15

# TX350-NW-3W-BOTTOM 시리즈

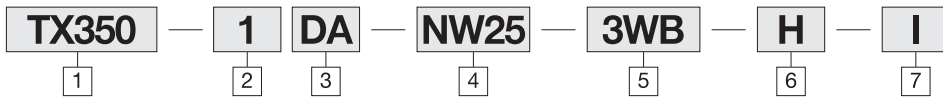
## 3WAY BALL VALVE

Air Operating NW Type Ball Valve



- ISO 규격 Type
- 경량 및 콤팩트한 디자인
- 내식성이 강한 SCS14 Body
- Low Cost Valve
- 고점도 유체 사용
- 정전기 방지 장치 부착
- 협소한 라인에 설치가 용이함
- 인디케이터 부착으로 OPEN, CLOSE 식별 용이

### 주문형식



1 Series (Air Operating Ball Valve)

2 Actuator Cylinder Size

1 : 50mm  
2 : 63mm

3 Actuator Type

DA : Double Acting  
RS : Return Spring

4 Valve Type & Size

NW25 : Clamp Type  
Endcap size : 25 valve Size: 25

NW40 : Clamp Type  
Endcap size : 40 valve Size: 40

5 Valve Port Type

3WB : Bottom  
※ p.320 3WAY valve 유체 흐름표 참조

6 Option

무기호 : 기본형  
H : 고온용 밸브 Seat(제품사양 참조)  
※ Solenoid valve 주문시 p.232 참조  
(주문시 별도 문의)

7 인발사양

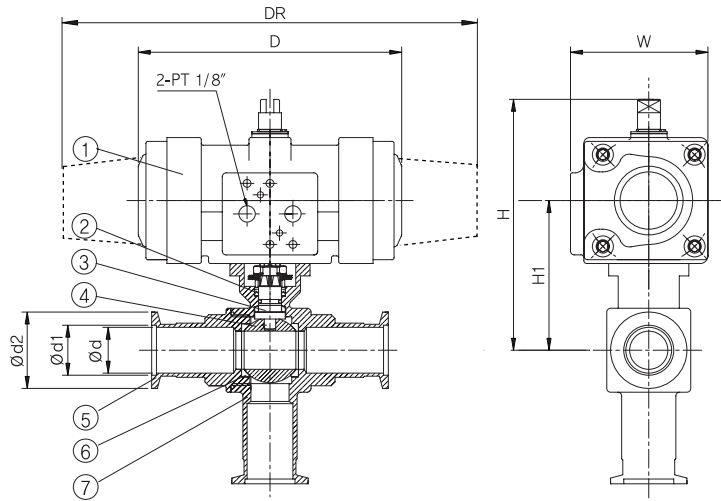
무기호 : 다이캐스팅  
I : 인발사양

### 제품사양

항목	내용
Fluid	Water, Air, Oil, Gas, Steam
Fluid Temperature	(不凍)0~80°C / (고온용)Seat 교환시 0~180°C
Operating press	4~7Kg/cm <sup>2</sup>
Option	Solenoid Valve AC110V, AC220V, DC24V
	Speed control
	Limit Switch
	Filter Regulator the other

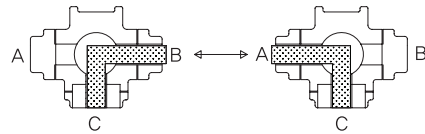
# TX350-NW-3W-BOTTOM 시리즈

## 구조도



### 부품 List

No.	품명	재질
1	ACTUATOR	組立品(다이캐스팅)
2	PACKING	RTFE
3	STEM	SCS304/SCS316
4	BALL	SCS304/SCS316
5	CAP	SCS13(CF8)/SCS14(CF8M)
6	SEAT	PTFE/RTFE/CARBON
7	VALVE BODY	SCS13(CF8)/SCS14(CF8M)



유체 흐름도

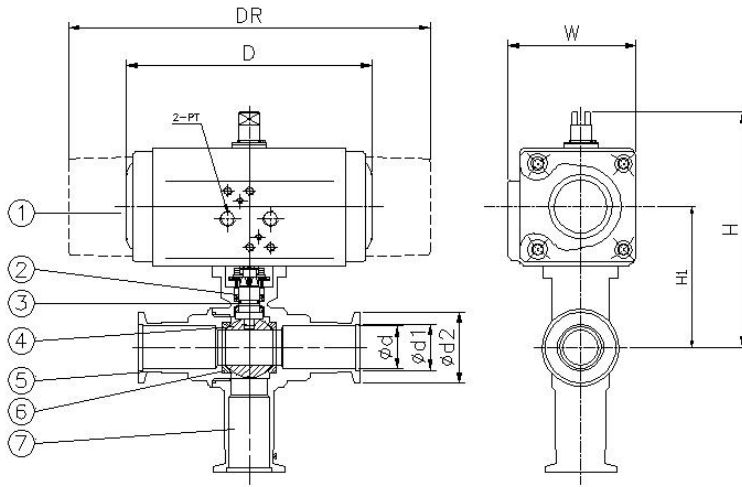
## 치수표 (다이캐스팅)

Model	Connection	Max. pressure (MPa)	Dimension(mm)										Weight(Kg)		
			Ød2	Ød1	Ød	L	H1	H	D	DR	W	PT	DA	RS	
■ TX350 Double Acting Actuator, Return Spring Actuator															
TX350-1DA-NW25-3WB	TX350-1RS-NW25-3WB	NW25	1.0	24	26.2	40	124	78.5	131.5	138	203	72	1/8	1.82	2.22
TX350-2DA-NW40-3WB	TX350-2RS-NW40-3WB	NW40		38	41.2	55	138	102.5	163	187	251	90		3.74	4.56



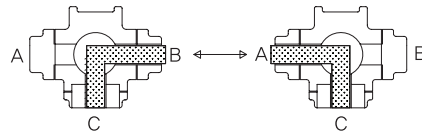
# 3WAY BALL VALVE TX350-NW-3W-BOTTOM 시리즈

## 치수도 / 구조도(부품 LIST)



### 부품 List

No.	품명	재질
1	ACTUATOR	組立品(인발)
2	PACKING	RTFE
3	STEM	SUS304/SUS316
4	BALL	SUS304/SUS316
5	CAP	SUS13(CF8)/SUS14(CF8M)
6	SEAT	PTFE/RTFE/CARBON
7	VALVE BODY	SUS13(CF8)/SUS14(CF8M)



유체 흐름도

## 치수표 (인발)

Model	Connection	Max. pressure (MPa)	Dimension (mm)											Weight (Kg)	
			Ød2	Ød1	Ød	L	H1	H	D	DR	W	PT	DA	RS	
■ TX350 Double Acting Actuator, Return Spring Actuator															
TX350-1DA-NW25-3WB	TX350-1RS-NW25-3WB	NW25	1.0	24	26.2	40	124	78.5	131.5	138	203	72	1/8	1.82	2.22
TX350-2DA-NW40-3WB	TX350-2RS-NW40-3WB	NW40		38	41.2	55	138	102.5	163	187	251	86.7		3.74	4.56